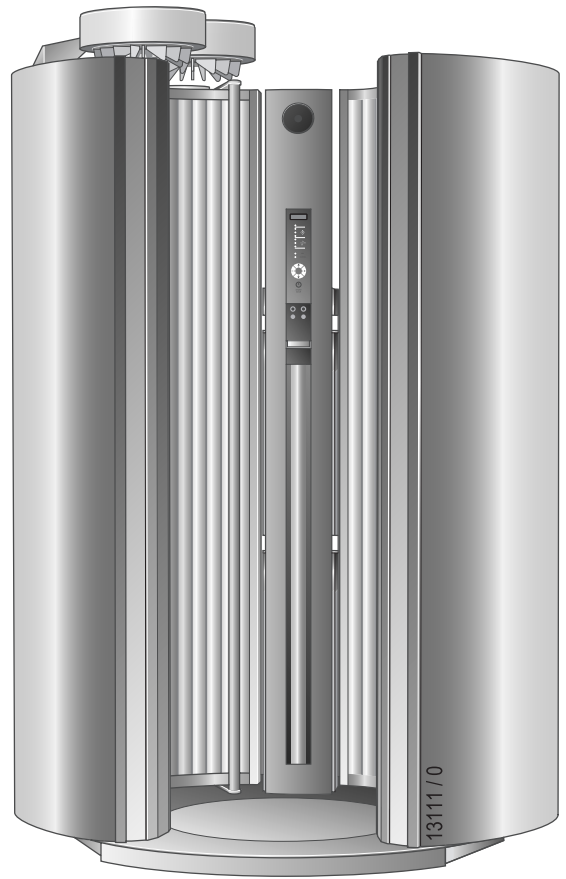
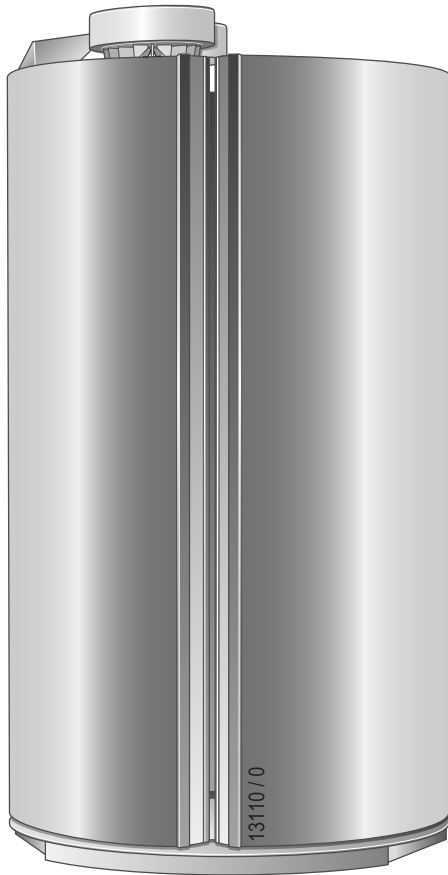


EXPOSURE
8 min
TIME



Operating Instructions

ESSENCE 56 SMART POWER

1009011-00 / us / 11.2010

Ergoline

Contact information

Technical Service JK-Global Service
A Div of JK Products & Services, Inc.
#1 Walter Kratz Drive
Jonesboro, AR 72401
800-445-0624
870-935-9046
e-mail: support@jkamerica.com
<http://support.jkamerica.com>

WARNING!



Read these operating instructions.

Failure to observe these instructions:

- may result in serious injury and death,
- can result in damage to the device and the environment.
- For the safety of yourself and others, read and observe all instructions contained herein before operating the tanning system.
- Please make the instructions and additional information available to anyone who operates or services the tanning system.

Copyright

The copyright remains with JK-Holding GmbH.

The contents may not be duplicated (in whole or part), distributed or utilized for competition purposes without authorization or disclosed to other parties.

The right to make technical changes in regard to the figures and information contained in this instruction manual is reserved!

Table of contents

1	Important information on tanning.....	5
1.1	Skin types	5
1.2	Tanning times.....	5
2	General.....	6
2.1	Definitions	6
2.2	Identify your tanning device	6
3	Safety notes.....	7
3.1	Description of warning signs	7
3.2	Instructions pertaining to a risk of fire, electric shock, or injury	8
3.3	Instructions pertaining to a risk of damage to the machine	10
4	Information for the studio operator	11
4.1	Intended use	11
4.2	Foreseeable misuse.....	11
4.3	Obligations of the studio operator	11
4.4	Staff training	12
4.5	Guidelines	12
4.6	Installation location.....	12
4.6.1	Ventilation	12
4.6.2	Limits of installation location	13
4.7	Export.....	13
4.8	MP3 music (optional)	13
4.9	Disposal	13
4.9.1	Environmental regulations – disposal of lamps	13
4.10	Instruction signs on the device	14
4.11	Technical modifications.....	14
5	Description	15
5.1	Scope of delivery.....	15
5.1.1	Optional.....	15
5.2	Equipment.....	15
5.3	Device description.....	16
5.4	Accessories (optional).....	17
5.5	Function description	17
6	Operation	18
6.1	Mandatory reading	18
6.2	Use the tanning device – but use it properly!	19
6.3	Application tips.....	20
6.4	Operation overview	21
6.4.1	Navigation	22
6.5	Functions	22

6.6	Start.....	23
6.6.1	Preparation time	23
6.6.2	Interrupt or end tanning session	23
6.7	Connect MP3 player.....	24
7	Cleaning and maintenance	25
7.1	Safety instructions for cleaning and maintenance	25
7.2	Faults.....	26
7.3	Cleaning	27
7.3.1	Disinfection.....	27
7.3.2	Cleaning of surfaces.....	27
7.3.3	Lamps.....	28
7.4	Cleaning plan	28
7.5	Maintenance.....	29
7.6	Maintenance plan	30
7.7	Instructions for replacing the lamps.....	32
7.7.1	Low pressure lamps	32
7.8	Cleaning or replacing the UV lamps on the left	33
7.9	Cleaning or replacing the UV lamps on the right	34
7.10	Cleaning or replacing interior lighting	35
8	Technical data	36
8.1	Power rating, electrical specifications and noise level.....	36
8.2	Dimensions.....	37
8.3	Lamp configuration.....	38
8.3.1	ESSENCE 56 SMART POWER	38
8.3.2	Accent lighting	39
8.4	Spare parts and accessories	39
9	JK-Products, Inc. – Limited Warranty.....	40
9.1	Limited Acrylic Warranty.....	41
9.2	Warranty Claims.....	41
9.2.1	Policy & Procedures	41
9.2.2	Labor Warranty Claim/Credit Procedures.....	42
9.3	Limited Lifetime Warranty.....	42
10	Appendix.....	44
10.1	Signs and stickers on the device	44
11	Index.....	48

1 Important information on tanning

1.1 Skin types

Skin type I (Sensitive):

Invariably gets sunburn, accepts little natural sunlight and does not tan.

Skin type II (Fair):

Gets sunburn easily and severely, tans minimally or lightly and peels.

Skin type III (Average):

Often referred to as "Average" complexion, gets moderate sunburns and tans about average.

Skin type IV (Brown):

Seldom gets sunburns, tans easily and above average with each exposure.

Skin type V (Dark Brown):

This individual's system rarely gets sunburns, tans easily and substantially.

1.2 Tanning times

This product is in conformity with performance standards for sunlamp products under 21 CFR 1040. See also page 44.

DANGER ULTRAVIOLET RADIATION

Follow instructions. Avoid over-exposure as with natural sunlight. Over-exposure can cause eye and skin injury and allergic reactions. Repeated exposure may cause premature aging of the skin and skin cancer.

WEAR PROTECTIVE EYEWEAR! FAILURE MAY RESULT IN SEVERE BURNS OR LONGTERM INJURY TO THE EYES.

Medications or cosmetics may increase your sensitivity to the ultraviolet radiation. Consult a physician before using sunlamps if you are using medications, have a history of skin problems, or believe yourself to be especially sensitive to sunlight. If you do not tan in the sun, you are unlikely to tan from the use of this product.

This unit utilizes UVA lamps. Replace only with GENESIS GSXR 200 FR2.0M-T12-VT-200W or recognized equivalents. To obtain the recommended exposure schedule position, stand in the center of the the tanning booth. Upon entry of the tanning booth, turn and face either the left or right panel of UV lamps. If you choose not to use the hand rails, position your arms beside your body maintaining a minimum distance of 1 inch (measured with a standard ruler) from the acrylic surface.

Maximum Tanning Time is 8 Minutes

Recommended Exposure Schedule

Skin Type	I Sensitive	II Fair	III Average	IV Brown	V Dark Brown
Week 1 1st - 3rd Sessions	NOT ADVISED	1 Min	1 Min	1 Min	1 Min
Week 2 4th - 6th Sessions	NOT ADVISED	3 Min	3 Min	4 Min	4 Min
Week 3 7th -10th Sessions	NOT ADVISED	6 Min	6 Min	8 Min	8 Min
Week 4 11th -15th Sessions	NOT ADVISED	8 Min	8 Min	8 Min	8 Min
Weekly Subse- quent Sessions	NOT ADVISED	8 Min	8 Min	8 Min	8 Min

Tanning can begin on a regular basis. An appearance of tanning normally appears after a few exposures and maximizes after four (4) weeks of exposure following the recommended exposure schedule for skin type. In order to provide for maintenance of a tan a maximum of two (2) weekly 8 minute sessions is recommended from the fifth week onward.

DO NOT TAN TWICE IN ONE DAY, ONLY TAN ONCE IN A 24 HOUR PERIOD.

Warning: The use of any other position may result in overexposure!

Use protective eyewear, super sunnies, whenever unit is energized. Read and follow instruction booklet before using this product. To avoid electrical shock during maintenance disconnect power from unit.

"This product is in conformity with performance standards for sunlamp products under 21 CFR 1040, FDA."

Part No: 1505265-01-

13088 / 0

2 General

2.1 Definitions

Operator

People who provide tanning devices to users on a commercial basis. The operator is responsible for the orderly operation of the device as well as compliance with the maintenance intervals.

User

A person who uses the tanning device at a commercial location.

Staff

People who are responsible for the operation, cleaning as well as general maintenance work and who instruct the users in the operation of the devices.

Electrician

A person with suitable professional training, knowledge and experience which enables them to identify and avoid the dangers which can arise from working with electricity.

Authorized, trained and qualified staff

Qualified staff from an external company who have been trained and authorized by the manufacturer for assembly and maintenance work with specific tanning devices.

2.2 Identify your tanning device

For contact with Customer Services, please write down the device number of your tanning device, see page 44.

3 Safety notes

3.1 Description of warning signs

Danger notices, damage to persons:

DANGER!



DANGER!

Type and source of danger, e.g. 'DANGER – High voltage!'

Description of the consequences, e.g. 'You can be killed or injured by an electric shock!'

Countermeasures:

- Disconnect device from power supply before opening.
- Do not reach into the inside with the device switched on.

Warning notices, damage to persons:

WARNING!



WARNING!

Type and source of danger, e.g. 'WARNING – hot surface!'

Description of the consequences, e.g. 'You can burn your hand (skin, face)!'

Countermeasures:

- Do not touch hot parts and nearby surfaces.
- Wait until hot parts and surfaces have cooled down.

Caution notices, damage to property:

CAUTION!



The word 'Caution' with this label points out that danger for devices, materials and the environment can be expected here.

Important information:



NOTE:

This symbol does not identify safety notices, but states information for a better understanding of the processes.

3.2 Instructions pertaining to a risk of fire, electric shock, or injury

DANGER – HIGH VOLTAGE!



DANGER!

You can be killed or injured by an electric shock!

Assembly and electrical connection must comply with national and local regulations.

- The device may only be assembled, installed, upgraded or repaired by specially trained and instructed personnel.
-

WARNING!



WARNING!

Unprotected tanning may result in eye injury and eye diseases!

The unprotected eye can become inflamed on the surface, and in certain cases the retina can be damaged by excessive radiation. Cataracts can form after repeated exposure to radiation.

- **Inform users to use the included protective goggles that block UV.**
-

WARNING!**WARNING!****Follow instructions!**

Failure to use protective eyewear may result in severe burns or other eye injury. If discomfort develops, discontinue use and consult a physician.

- A person who does not tan in the sun most likely will not tan from the use of this device. Persons with very sensitive skins (skin type I) must not use the unit, as with this skin type tanning is impossible without damaging the skin (e.g. sunburn).
- Individuals with acute sunburn, individuals who have had or have skin cancer, or individuals who are at increased risk of skin cancer, must not use the system.
- UV devices must not be used without taking medical advice if unexpected effects, such as itching, occur within 48 hours of the first session.
- The tanning device must never be used if the timer is defective!
- UV light from the sun or UV systems can cause injuries to the skin or eyes. This biological effect is dependent on the sensitivity of the individual's skin and on the type and amount of UV light.
- As with natural sunlight, overexposure can cause eye and skin injury, sunburn, and allergic reactions.
- Repeated exposure may cause premature aging of the skin and skin cancer.
- Medications (taken internally or otherwise) or cosmetics applied to the skin, may increase sensitivity to ultraviolet light.
- A person having a history of skin problems should consult a physician before use.

WARNING!**WARNING!****Danger of long-term consequences!**

- Overexposure should be avoided.
- Children may not use this device.
- The following applies to minors under the age of 18 years: Only use tanning devices in agreement with a parent or guardian, or after consulting a physician. Check with your state regarding tanning laws for minors!
- While there is no immediate clinical evidence of UVA exposure and its effects upon expectant mothers, it is strongly advised that expectant mothers be discouraged from using the tanning unit.

WARNING!



WARNING!

Infections can be transferred through skin contact!

All items/equipment components, with which the user can come into contact during tanning, must be disinfected after every tanning session:

- Protective goggles
- Acrylic panels
- Holding bars and control panel
- MP3 cable
- Floor mat (Plastic) / Mirrored base
- Use only approved cleaners to disinfect the tanning system and its components.



NOTE:

Occasionally, persons using the tanning device will experience a slight reddening of the skin (usually in small patches) after the second or third session. This redness is often accompanied by an itching sensation. This may be nothing more than a very limited heat 'rash' caused by heat from the lamps within the device. It should go away within approximately 24 hours and should not reappear. This rashing can be lessened or prevented by applying moisturizing lotion to the affected area after the tanning session is completed.

- Follow instructions.
- The time between the first two tanning sessions must be at least 24 hours.
- Increasing tanning also requires an extension of the exposure time (= radiation time). After a certain degree of tanning has been achieved a further intensification is not possible. However, the radiation time may not be extended to exceed the scope of the permissible radiation doses! Only a certain degree of the final tanning result, dependent on the skin type, can be achieved without endangering your health.
- Inform users about proper tanning.

3.3 Instructions pertaining to a risk of damage to the machine

CAUTION!



Danger of overheating by obstruction of the air routing!

- Do not change, obstruct or block the air inflow and outflow area to the device or make any unauthorized changes to the device. The manufacturer shall bear no liability for damage or injuries resulting from such actions.
-

4 Information for the studio operator

4.1 Intended use

The tanning device is intended exclusively for cosmetic tanning of the human skin.

- This device is used for tanning one adult person at a time.
- The user must wear suitable eye protection to block UV radiation during tanning.

Any other use shall be considered improper. The manufacturer cannot be held liable for damage or injuries resulting from misuse. The operator bears the sole risk for this.

The proper use also includes compliance with the manufacturer's instructions, operating and maintenance conditions. This device may only be operated, maintained and repaired by persons familiar with these tasks and who are aware of the dangers involved.

4.2 Foreseeable misuse

The following uses of the device are explicitly prohibited:

- Multiple people may not use the device at the same time.
- People with body weight of more than 300 lb may not use the device.
- Exceeding the specified tanning times may result in burns and long-term skin damage.
- When the device is in use, no other people may remain in the room. This includes both children and adults.

4.3 Obligations of the studio operator

- As the operator you are responsible for informing users on possible risks of tanning.
- All danger and safety labels attached to the device must be observed! Do not remove them!
- No safety equipment (e.g. panel switch) may be removed, deactivated, or otherwise bypassed as it can impair the safe operation of the device!
- The device may only be used when in completely operational condition!
- It is the operator's responsibility to ensure the tanning system is handled properly.

4.4 Staff training

As the operator you are obligated to train your personnel and instruct them in the established legal and accident prevention regulations. Ensure that your staff have understood and observe these instructions. This includes:

- information regarding intended use and foreseeable misuse
- safety instructions
- operating instructions
- cleaning and maintenance instructions
- Please make the instructions and additional information from the manufacturer available to the staff at their workplace.
- Regularly check your staff's safety consciousness and awareness of the risks, taking into account your operating instructions.
- Please ensure that the cleaning intervals are complied with, in particular cleaning after every use.
- Please ensure that your staff provide your customers with appropriate advice, in particular regarding tanning times, possible risks and the operation of the device.

4.5 Guidelines

This product is in conformity with the performance standards for sunlamp products under 21 CFR 1040.20, FDA and listed with ETL and CAN/CSA 22.2 No. 224.

4.6 Installation location

4.6.1 Ventilation

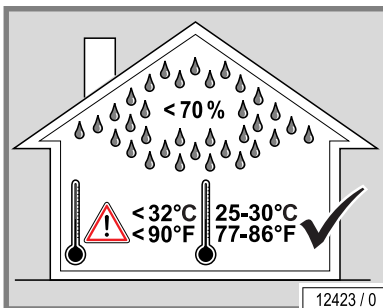
CAUTION!



Danger of failure!

Danger of overheating by obstruction of the air routing.

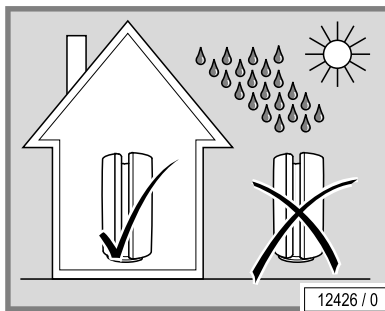
- Observe the ventilation information in the Ergoline Planning Manual to avoid serious system malfunctions.



Data for air supply and extraction planning can be found in the Ergoline Planning manual (Order no. 801482-..., <http://support.jkamerica.com>). You can also ask for this data from your sales agent or customer service (see Page 2).

4.6.2 Limits of installation location

The tanning device must not be operated outside of buildings.



4.7 Export

This device is exclusively intended for use in the USA and Canada and may not be exported to other countries and operated there! The manufacturer assumes no liability whatsoever in the event of non-compliance. High liability risks may occur for the exporter and/or the operator in the event of non-compliance.

4.8 MP3 music (optional)

The personal use of an MP3 player during tanning is not a public broadcast in copyright terms, so that there is no obligation for registration or payment by the studio owner to the corresponding copyright owning company. Copyright laws apply to the owner of the MP3 player.

The same regulations apply for the official use of MP3 music files as for other music sources: As studio owner you are only allowed to use original audio obtained from legal sources. Proof of the legitimacy of any MP3 audio used should be available for viewing upon demand of any regulatory body. Please refer to <http://www.riaa.com> for more information.

4.9 Disposal

4.9.1 Environmental regulations – disposal of lamps

UV low-pressure lamps and UV high-pressure lamps contain fluorescent materials and other waste containing mercury.

According to the national waste disposal laws and in accordance with the municipal waste regulations, proof must be provided of the proper disposal of UV lamps.

Contact your local environmental agency for assistance with the disposal of UV lamps.

4.10 Instruction signs on the device

See Appendix page 44.

4.11 Technical modifications

The device has been constructed in accordance with current safety regulations. The illustrations and specifications on these instructions are subject to technical modifications which are required in order to improve the device.

Unauthorized modifications and changes to the device and its control unit are prohibited.

Use only OEM spare parts.

5 Description

5.1 Scope of delivery

- Tanning device
- Technical documentation (folder with instructions, CD-ROM and additional documentation)
- Allen-key
- Connecting lead
- Suction cup for acrylic panels
- Protective goggles
- 2 Fans (Body cooling)
- Trim, including loudspeaker and cockpit control
- Interior lighting

5.1.1 Optional

- Mirrored base

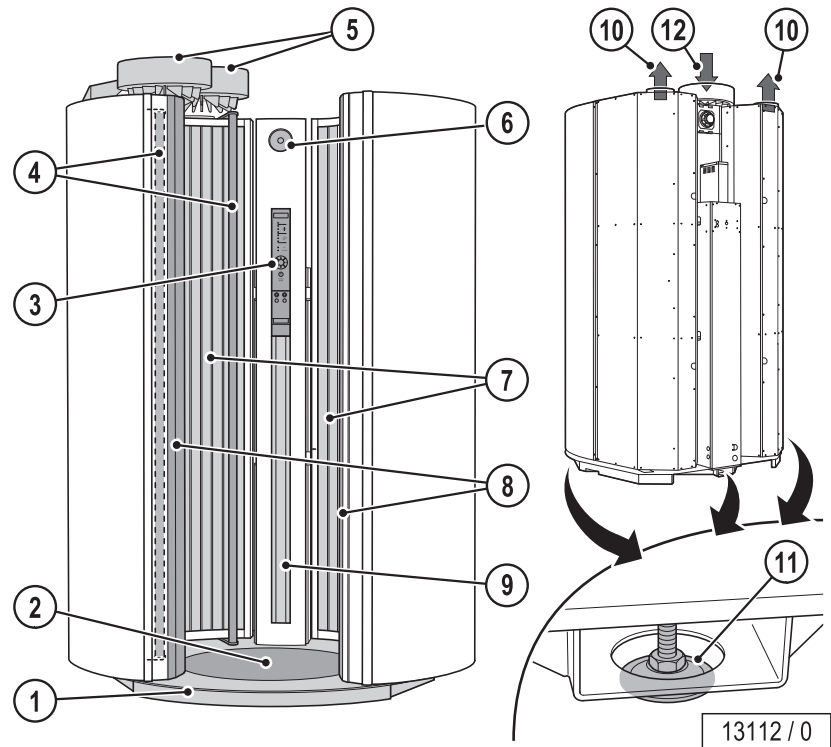
5.2 Equipment

Device equipment varies depending on the model.

In this description, all standard and optional components/functions are taken into account which must be observed during operation and/or when performing maintenance.

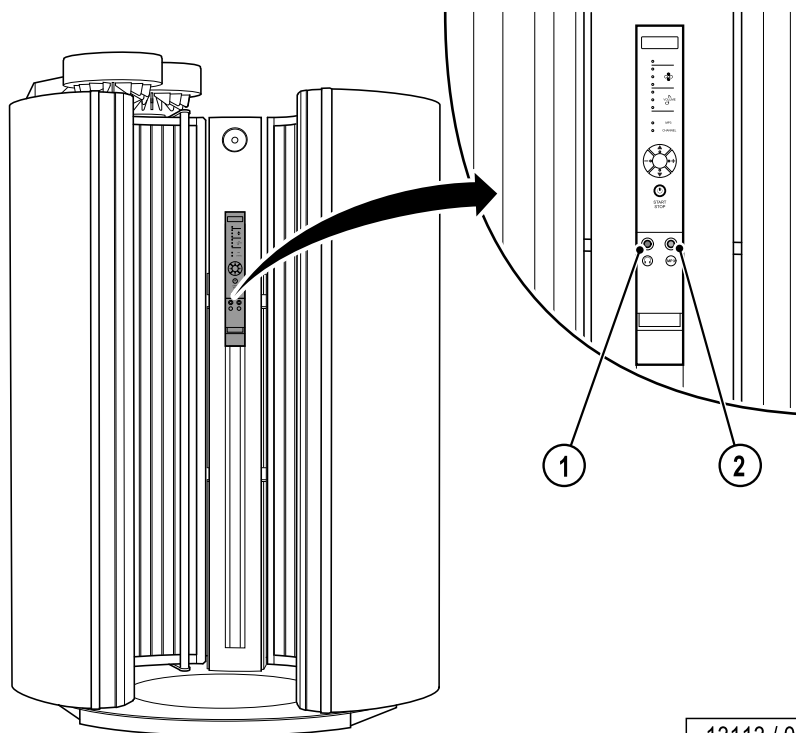
The control panel also differs according to the varying equipment: Only those buttons are visible that can be operated, i.e. the corresponding function must be included in the device's equipment.

5.3 Device description



1. Base plate
2. Floor mat (Plastic)
3. Operating panel
4. Holding bars
5. Fan (Body cooling)
6. Loudspeaker
7. UV low pressure lamps
8. Clamping strips (acrylic panels)
9. Interior lighting
10. Exhaust air (equipment cooling)
11. Height-adjustable feet
12. Supply air (body cooling)

5.4 Accessories (optional)



13113 / 0

1. Headphone connection, jack plug Ø 6.3 mm
2. MP3 connection, jack plug Ø 3.5 mm

5.5 Function description

The primary technical components of a tanning device are an artificial source of UV radiation, a variety of filters and reflectors as well as a mechanical structure with a defined active surface.

Different tanning results can be achieved in varying strength tanning devices. This is due to the different strength UV lamps and the different UV-A and UV-B proportions of the UV radiation. The UV-A proportion primarily generates a superficial tan, which appears rapidly and is intensive but also fades more rapidly. The UV-B radiation is primarily responsible for more long-term tanning results. The disadvantage of the UV-B radiation is that the tan does not become visible until one or two days after visiting the tanning salon. Therefore, the appropriate tanning device is to be selected depending on the desired tanning goal.

The tanning devices described here primarily emit UV-A radiation.

6 Operation

6.1 Mandatory reading

Always read and follow all instructions for proper usage prior to allowing anyone to use the tanning device. The operating instructions included with this device must always be followed to prevent possible injuries.

Inform users

- to use provided UV-blocking protective eyewear whenever the equipment is energized.
- to follow the exposure schedule in accordance with their skin type. Failure to do so may result in overexposure.

A tanning system is not a toy. You cannot vary the strength of the lamps in your unit.

Should you have any questions regarding the proper use of your tanning system, contact Global Service USA at:

800-445-0624

Mon – Fri. 8:00 a.m. to 7:00 p.m. (CT)

Sat. 8:00 a.m. to 3:00 p.m. (CT)

WARNING!



WARNING!

Danger of skin injuries and skin diseases!

- The tanning device must never be used when the timer is defective!



NOTE:

When describing the operation, the tanning system is sometimes shown with the doors open. During tanning the doors must always be closed.

Proper operation is not possible with the doors open.

6.2 Use the tanning device – but use it properly!

A few things need to be noted to in order to obtain maximum enjoyment from a tanning device. Here are some answers to frequently asked questions.

Make-up in the tanning device?

Please do not wear make-up. Clean skin absorbs UV light better.

A wide variety of materials is found in cosmetics. Whether these are emulsifiers, greases, or fragrances – in conjunction with UV radiation, these can cause skin allergy reactions.

Remove all make-up. This is essential. Make-up clogs the pores in the face. The UV light from a tanning device re-opens these clogged pores so that not only does the light penetrate the skin, but also the allergenic components of the make-up.

A further negative consequence of make-up is that the appearance of the skin deteriorates irreversibly over a period of time. However good make-up looks – in conjunction with UV light, it causes more harm than good. Therefore remove all make-up before a session in your tanning device – it will be much better applied afterwards.

Showering after leaving the tanning device?

The browning is in the skin, not on it. Therefore you cannot wash it off. Treat your skin to a moisturizing cream after showering.

Are medications and the tanning device compatible?

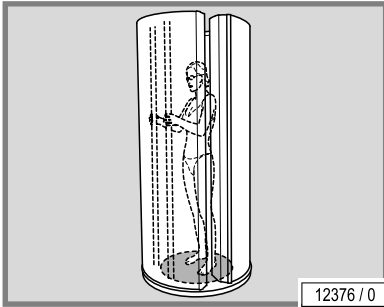
It is known that some medications increase the skin's sensitivity to UV light. This probability is particularly high with antibiotics, sulphonamides, psychiatric drugs, tranquillizers, anti-diabetes treatments and diuretics. Sun creams which contain psorale or kumarin also increase skin sensitivity. If you are in any doubt, first ask your doctor – then you can enjoy the sun at no risk.

Contact lenses in the tanning device?

The answer is: Yes! Like any other tanning device user, contact lens wearers should also wear special protective goggles which protect the eyes against UV radiation. To guarantee better protection, wearers of glasses and contact lenses can ask their optician for exchange contact lenses with UV protection. The UV-A and UV-B filters built into some contact lenses will protect the cornea and the internal parts of the eye against almost 100 % of the energy in UV radiation.

This will benefit tanning device users not only in the open air, but on the tanning device itself. You can wear these contact lenses on the tanning device without any restrictions. For more information, ask your optician or optometrist.

6.3 Application tips



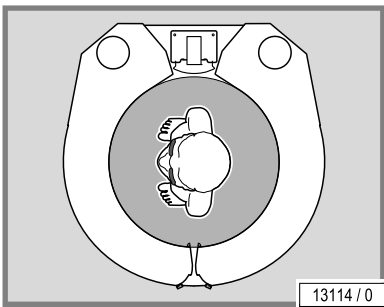
WARNING!

WARNING!

Sunburn and skin damage due to burns!

Insufficient clearance between the UV lamps and the surface of the skin leads to sunburn and skin damage.

- Stand upright and straight during the tanning and in the centre of the unit.
- Use the holding bars to make holding up your arms easier so that your body gets an even tan.

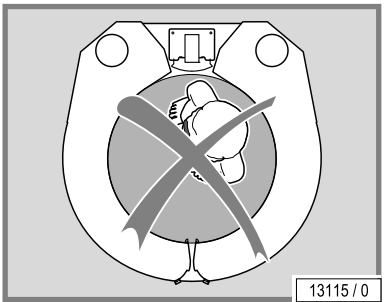


CAUTION!

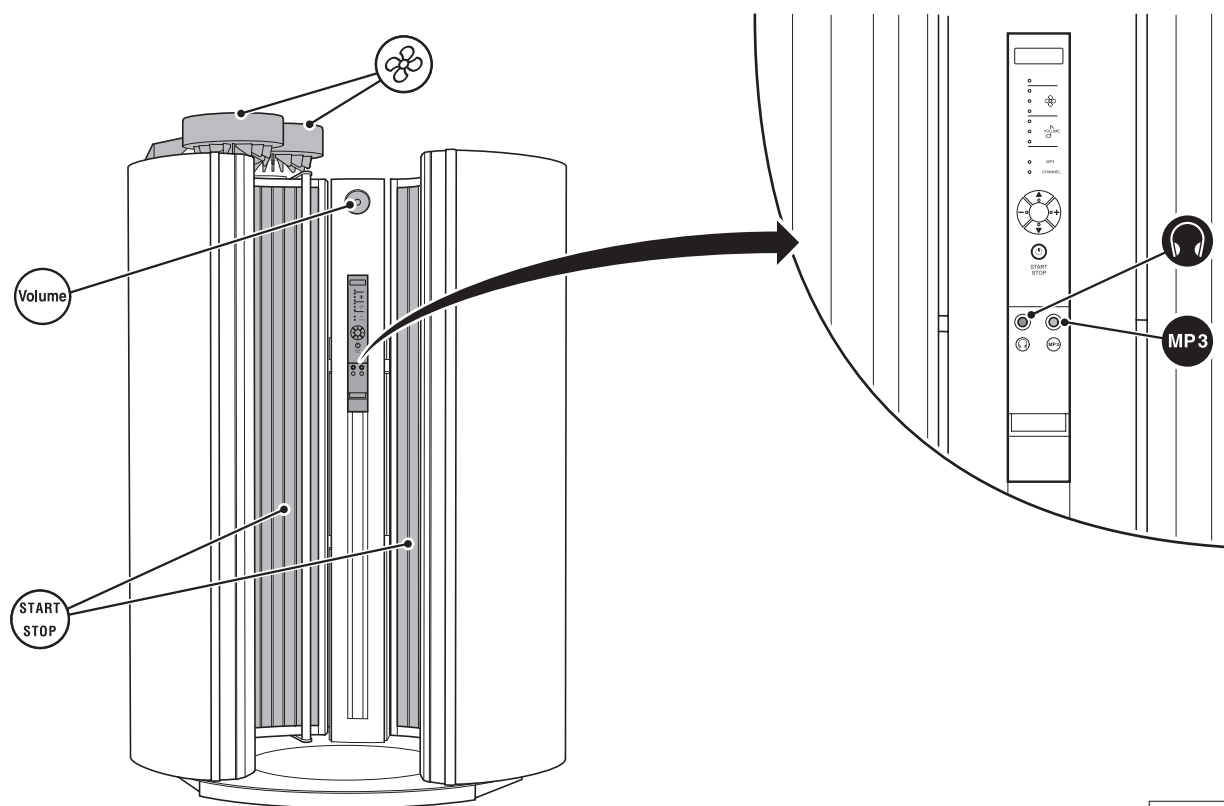
Holding bars break when exposed to severe strain!

The holding bars can be broken off if they are exposed to severe strain.

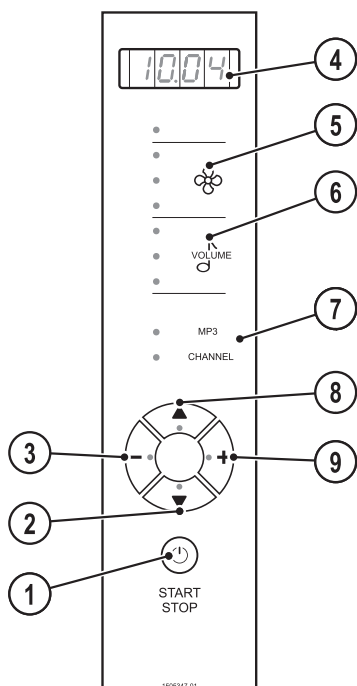
- Do not attempt pull-ups or other exercises.



6.4 Operation overview



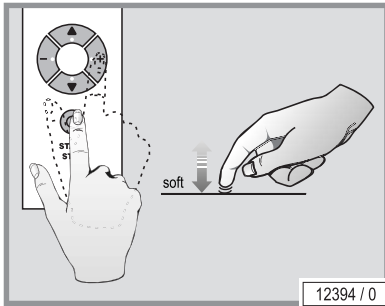
13119 / 0



1. START/STOP button
2. Down navigation arrow button
3. Minus button
4. Display – Functions ...
5. Body cooling icon
6. Volume icon
7. Audio system icon
8. Up navigation arrow button
9. Plus button

13120 / 0

6.4.1 Navigation



The device is operated with the navigation ring.



**START
STOP**

Switch on UV lamps:

- Press the button once.

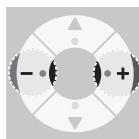
Switch off UV lamps/pause tanning:

- Hold the button.



Select device function (go to pictogram)

e.g. VOLUME










Select sub-function (if available)

Change setting

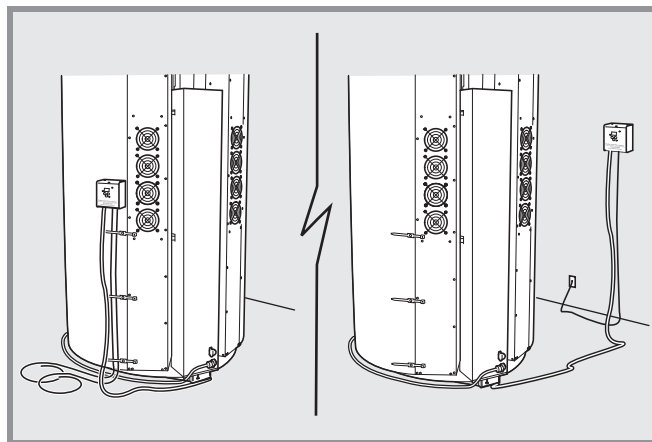
The LEDs of the available functions and the navigation ring are illuminated in default mode after starting up the tanning device. After selecting a function, the respective LEDs and the navigation ring flash for a few seconds. Settings can be changed during this time.

6.5 Functions

Function	Button sequence	Description	Information
1. UV lamps	 START STOP	START/STOP Switch the UV lamps on/off during tanning	If the UV lamps are switched off during tanning, the tanning time continues to run.
5. Body cooling	  	Control cooling, Levels 1-5 Switch off cooling: <input type="text" value="OFF"/> Switch on cooling	The LEDs next to the symbol illuminate according to the level set. <input type="text" value="OFF"/> and 1: only the LED at the bottom illuminates; 2 and 3: the LEDs in the middle and at the bottom illuminate; 4 and 5: all three LEDs illuminate.
6. Volume		Internal: Control volume, Levels 0-15 External: MP3 player	See page 24. The LEDs next to the symbol illuminate according to the level set. 0-4: only the LED at the bottom illuminates; 5-9: the LEDs in the middle and at the bottom illuminate; 10-15: all three LEDs illuminate.
7. Audio system <input type="text" value="E-CH"/>	 	Select channel <input type="text" value="CH.01"/> - <input type="text" value="CH.16"/> <input type="text" value="-P3-"/> MP3 player	

6.6 Start

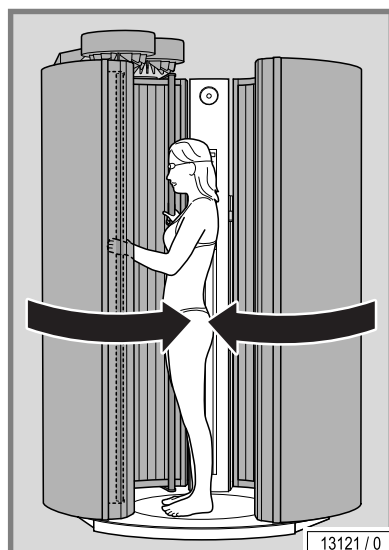
The device is started automatically with an internal or external timer. timer included with your tanning system may be mounted on or adjacent to the unit.



NOTE:

Timer instructions see separate manual (order no. 1008370-..).

6.6.1 Preparation time



Before the UV lamps turn on, you have a few minutes to prepare yourself. During the preparation time you can switch on the UV lamps at any time by pressing the START/STOP button.

- Remove your clothes and all jewelry.
- Remove make-up and other cosmetics.
- Remove glasses. Contact lenses can be worn under the protective goggles.
- Put on the protective goggles.
- Close the entrance.
- Press the START/STOP button.

Settings on start-up:

- UV lamps
- Cooling
- Sound system

6.6.2 Interrupt or end tanning session

The tanning session ends automatically after the preset time has run down. The internal body cooling fan continues to run for approx. three (3) minutes to sufficiently cool the device.

- To interrupt a tanning session, press and hold button START/STOP any-time during a session.
- Press START/STOP again to restart the lamps.

6.7 Connect MP3 player

DANGER!



DANGER!

Danger of hearing damage!

Using earphones or headphones at high volume can result in permanent hearing damage.

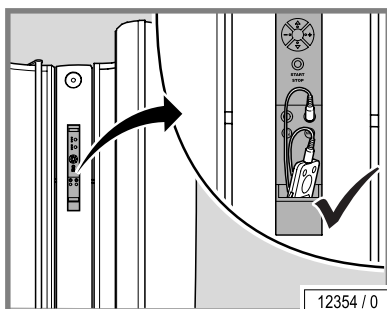
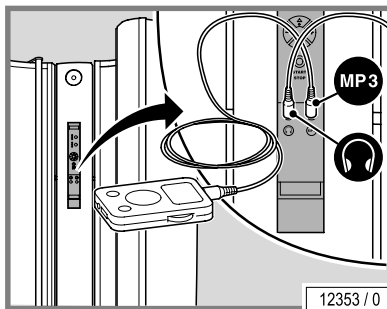
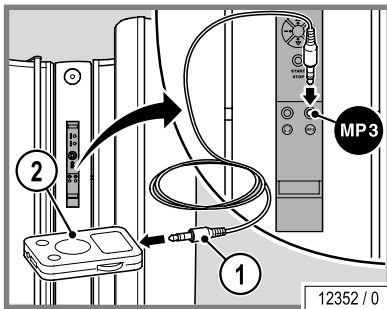
- Do not set the volume too high.

The user can connect their own private MP3 player to the tanning device, if the 'Sound system' accessory is fitted.

1. Jack plug (JK Part # 4630911001-...) provided for use by the studio operator (2 x 3.5 mm stereo jack plug).
2. MP3 player connection: see the documentation from the manufacturer of the MP3 player.

Connecting:

- Insert the MP3 cable (stereo jack plug) into the sound system.
- Plug the MP3 cable into the MP3 player.
- Select the music title and then start.



CAUTION!



The heat might damage your MP3 player!

- Do not position the unit so that it receives direct tanning radiation.

CAUTION!



Cable may be torn off, connectors may be damaged!

- Do not pull on cable when unplugging MP3 player.

7 Cleaning and maintenance

7.1 Safety instructions for cleaning and maintenance

DANGER – HIGH VOLTAGE!

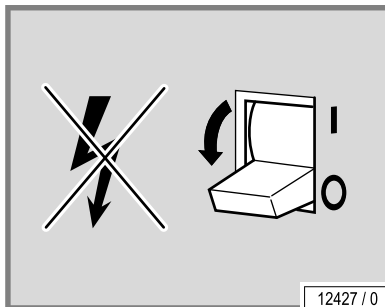


DANGER!

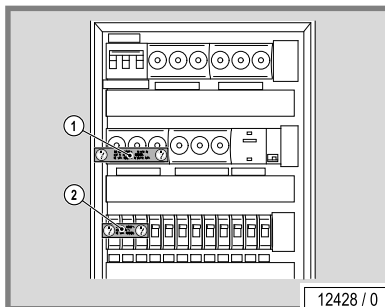
You can be killed or injured by an electric shock!

During maintenance work there is a risk of touching live parts and receiving a fatal electric shock.

- Disconnect device from power supply before opening.
- Do not reach behind covers and do not open the device with the device switched on.
- Refit any safety devices (e.g. switches) after the work has been completed.



12427 / 0



12428 / 0

If work is to be performed on the devices, they must be deenergized. That means that all live cables must be switched off.

Switching off the device alone is insufficient, as certain points may remain energized. Therefore, switch off fuses before performing any work and – if possible – remove them.

Accidental reactivation can result in serious accidents. Immediately after deenergizing, secure all switches or fuses used for deenergizing against being switched on again.

- Lock the fuse box with a padlock.

In case of circuit breakers which cannot be unscrewed, a strip of adhesive tape may be applied over the actuation lever with the wording 'Do not switch, danger!' (1 + 2).

A prohibition sign with the text:

'Work in progress!'

'Place:

'Sign may only be removed by:

must always be securely mounted immediately.

It is imperative that you, the owner and/or operator, check all components for any signs of wear which may occur through normal use.

- Observe the cleaning and maintenance schedule specified in the tables in Chapter 7.4 and 7.6.
- Only replace UV low-pressure lamps with the original type or compatible lamps.

Should you require any assistance or need additional information, please call Global Service USA at 800 445 0624, Monday through Friday 8:00 a.m. - 7:00 p.m. CT, Saturday 8:00 a.m. to 3:00 p.m.

WARNING!



WARNING!

Injuries and damage due to improper maintenance!

If the maintenance intervals for the UV lamps are exceeded or incompatible UV lamps are installed, the share of harmful UVB radiation may increase. Sunburn and other skin damage may result.

Improper maintenance can cause the device to be damaged or to become unusable.

- Always comply with the specified maintenance intervals.
 - Follow the cleaning instructions.
-

WARNING!



WARNING!

Danger of burns from hot lamps and device parts!

If the tanning device was operated before being switched off and opened, lamps and housing parts may be hot.

- Before replacing lamps or other spare parts, wait until lamps and metal parts of the device have cooled down sufficiently.
-

WARNING!



WARNING!

Danger of pinching!

When opening and closing the panels and covers, you can pinch your fingers.

7.2 Faults

Error codes are output to the display to simplify troubleshooting:

- If a fault occurs, the error code flashes on the display.
- If several errors occur, the error messages are displayed alternately.
- Error elimination is acknowledged by pressing the **START/STOP** button.
- If the error cannot be cleared, inform Customer Service - see page 2.

More detailed information regarding the error description and solutions is available in 'Fehlercodes/Error Codes' (Order-no. 1008954-..).

7.3 Cleaning

WARNING!



WARNING!

Infections can be transferred through skin contact!

All items/equipment components, with which the user can come into contact during tanning, must be disinfected after every tanning session:

- Protective goggles
- Acrylic glass panels
- Holding bars and control panel
- MP3 cable
- Foot mat (Plastic) / Mirrored base
- Use only approved cleaners to disinfect the tanning system and its components.

7.3.1 Disinfection

For hygienic proper disinfection, use a specially developed disinfectant cleaner.



NOTE:

For thorough disinfection, the product must be allowed to remain in contact with the surface being disinfected for a specified amount of time. Follow the manufacturer's instructions for use.

7.3.2 Cleaning of surfaces

Acrylic panel

CAUTION!



Do not rub with a dry cloth – danger of scratching!

- For hygienic proper cleaning of acrylic surfaces, use a specially developed disinfectant cleaner. Other cleaning agents, especially concentrated disinfectants or solvents (e.g. Lysoform, ethyl alcohol or other liquids containing alcohol) must never be used for cleaning.

Failure to observe this voids all warranty claims.

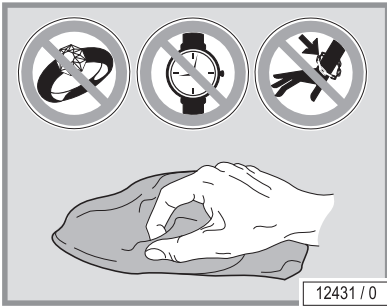
Plastic surfaces

For cleaning the remaining painted and unpainted plastic surfaces, it is best to simply use warm water and a leather cloth. Never use aggressive cleaning agents containing alcohol or essential oils. These may lead, in the long run, to damages not covered by the warranty.

During cleaning a slight discoloration of the leather cloth by the rubber seals must be expected for production-related reasons.

Prevent damage to the acrylic glass and plastic surfaces.

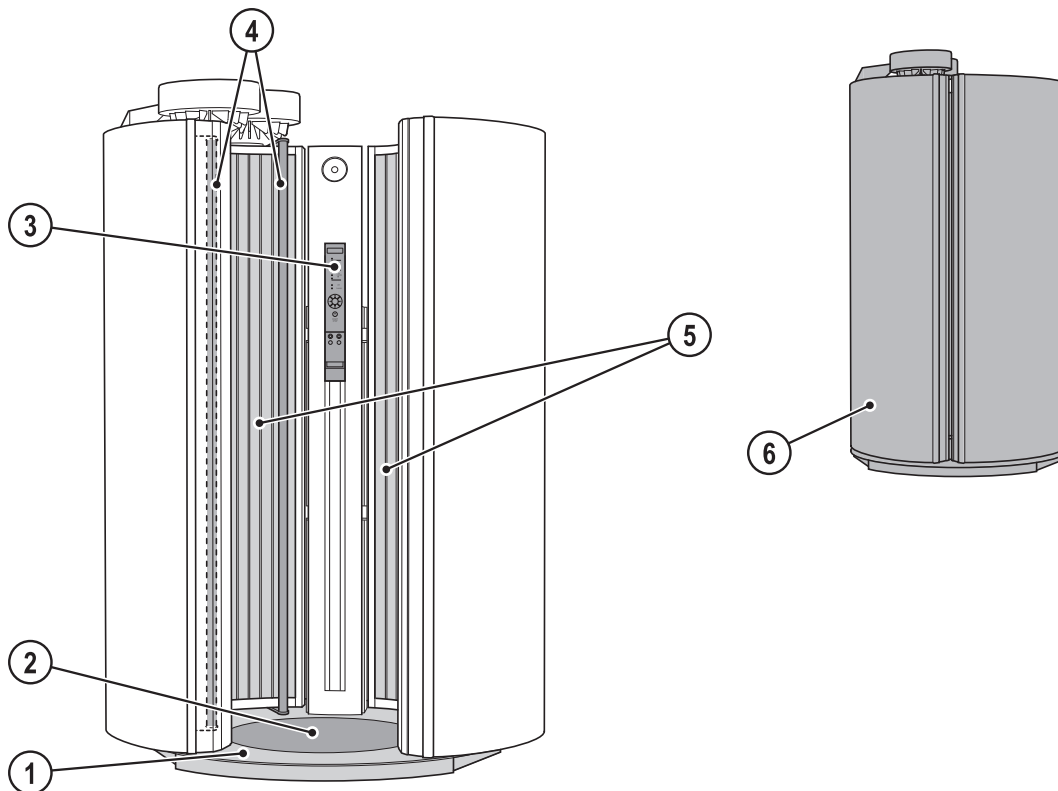
- Remove rings, watches, bracelets etc. before starting cleaning work.



7.3.3 Lamps

- UV low pressure lamps can be cleaned with a damp cloth and without additional cleaning agents where necessary.

7.4 Cleaning plan



13122 / 0

Component	Interval	Activity	See page
	After each tanning session	When necessary	
1 Entry area	X	Cleaning and disinfection	27
2 Floor mat (Plastic) / Mirrored base	X	Cleaning and disinfection	27
3 Control panel	X	Cleaning and disinfection	27
4 Holding bars	X	Cleaning and disinfection	27
Protective goggles	X	Cleaning and disinfection	27
MP3 cable	X	Cleaning and disinfection	27
5 Acrylic panels		X Cleaning	27
6 Surfaces		X Cleaning	27

**NOTE:**

Cleaning must be confirmed after each tanning session by pressing the START/STOP button (when the cool-down time for the main fan has finished).

7.5 Maintenance

Maintenance and care play a major role in deciding the devices performance and appearance over its useful life. Diligent compliance at the specified intervals is absolutely necessary to ensure the proper operation of your tanning system.

The current operating hours of the parts requiring maintenance can be displayed in the Presetting mode – see separate instructions 'Presettings' (order no. 1008953-..).

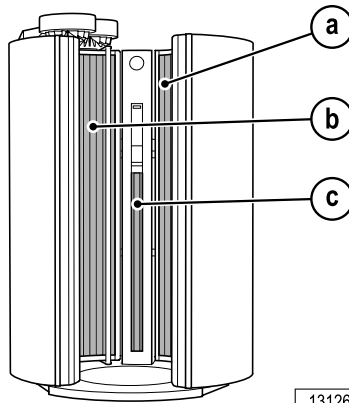
Please note that the device must be inspected regularly by a JK authorized representative every 12 months (from date of commissioning) to maintain its proper condition!

7.6 Maintenance plan

CAUTION!



Only use OEM spare parts of the same type! The use of other parts will limit or void your manufacturer's warranty!
Any liability is excluded in case of damage or injury proven to be the result of the use of non-genuine spare parts.



13126 / 0

Component	Interval					Activity	See page
	500 h	500 h / 6 Months	2500 h / 1 Year	5000 h / 5 Years	10000 h / 10 Years		
a UV low pressure lamps, right side	X					Replace	34
b UV low pressure lamps, left side	X					Replace	33
c Low pressure lamp						X Replace	35
Bolts and fasteners of the door hinge mechanism			X			Inspect	
Bolts and fasteners of the door hinge mechanism			X	X		Replace as necessary	
Bolts and fasteners of the canopy door hinge mechanism					X	Replace	
Door Wiring	X	X				Inspect	
Door Wiring				X	X	Replace	

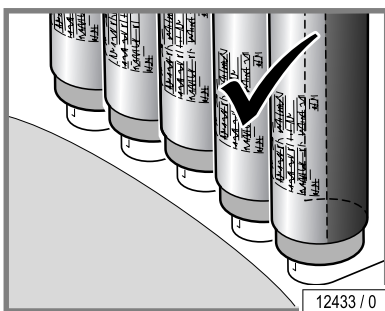
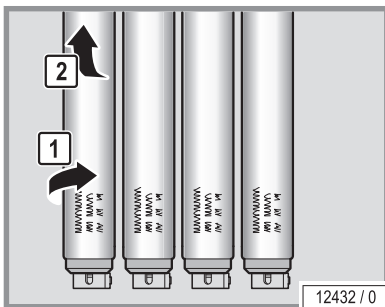
Component	Interval					Activity	See page
	500 h	500 h / 6 Months	2500 h / 1 Year	5000 h / 5 Years	10000 h / 10 Years		
Chassis and associated fasteners				X		Inspect	
Chassis and associated fasteners					X	Replace as necessary	
Acrylic panels		X	X			Inspect	
Acrylic panels			X			Replace	

7.7 Instructions for replacing the lamps

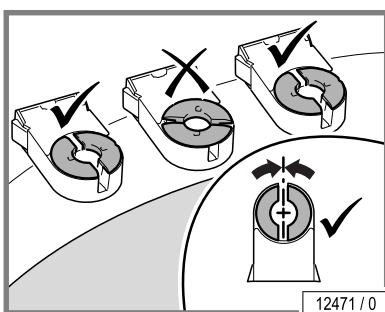
The UV effect of the lamps and thus the tanning effect decreases over the course of time. Therefore, the replacement intervals specified in the maintenance plan must be adhered to.

7.7.1 Low pressure lamps

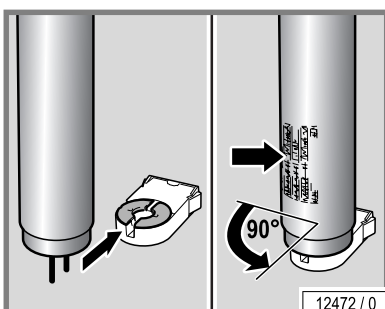
- Replace faulty UV low pressure lamps immediately.
- Always replace the entire set of lamps after the specified operating time.
- Turn 90° and carefully remove from the socket.



- UV low pressure lamps possess a reflector which directs the light outwards. The lamps must be mounted in such a way that the rear side of the reflector is located on the device side.



- Push the pins vertically into the socket from above.



- Turn the lamp 90°.
The lettering must be oriented towards the outside (i.e. towards the user).

7.8 Cleaning or replacing the UV lamps on the left

WARNING!

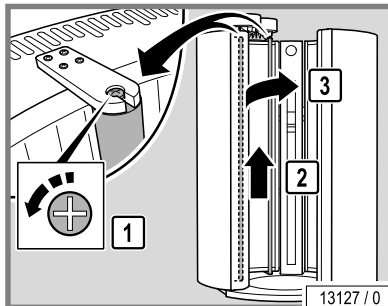


WARNING!

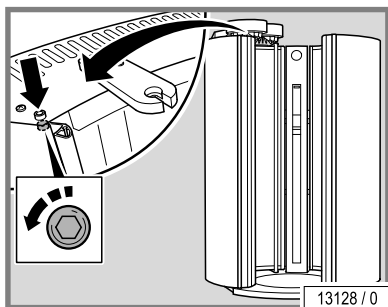
Acrylic panels unusable due to soiling!

Soiling on the panels is burned in by the hot lamps and in the longterm results in unserviceable panels.

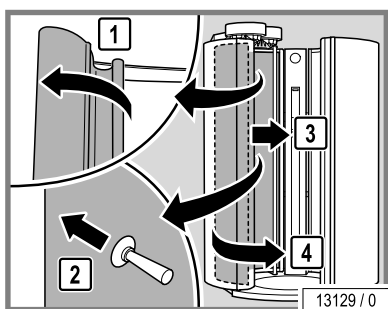
- Remove fingerprints and other soiling carefully.



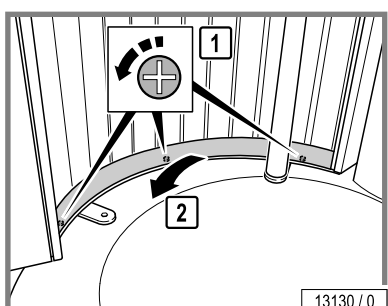
- Loosen the screw.
- Remove the holding bar and lay aside.



- Remove the screw.



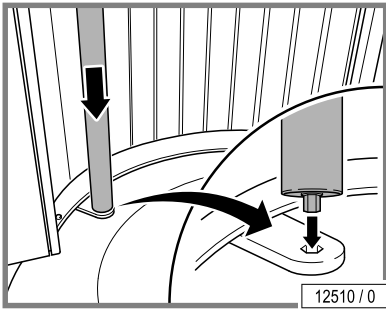
- Fold down the clamping strip.
- Use the suction cup to pull out the panel from the guide.
- Remove the panel to the side and carefully lay it aside.



- Remove the screws and then remove the lamp cover.

Replacing the lamps:

UV low pressure lamps: see page 32.



The assembly is the same process in reverse order.

When assembling please note:

- Insert the holding bar at the bottom with the hexagon in the recess of the holding device and align.

DANGER!



Danger of crushing fingers when folding the clamping strip!

- Fingers can be crushed when folding the clamping strip.
- Do not hold fingers between the clamping strip and acrylic panel when folding.

7.9 Cleaning or replacing the UV lamps on the right

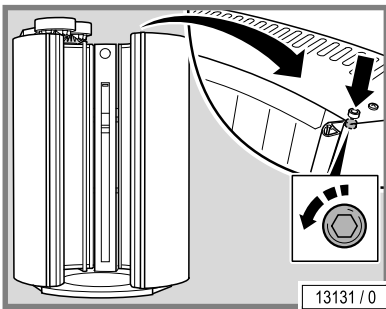
WARNING!



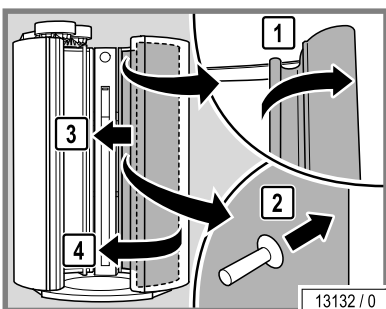
WARNING!

Acrylic panels unusable due to soiling!

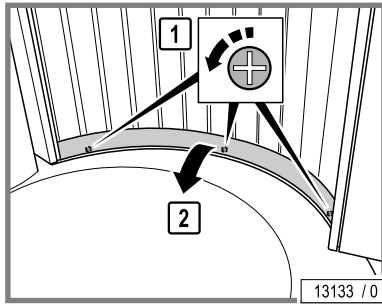
- Soiling on the panels is burned in by the hot lamps and in the longterm results in unserviceable panels.
- Remove fingerprints and other soiling carefully.



- Remove the screw.



- Fold down the clamping strip.
- Use the suction cup to pull out the panel from the guide.
- Remove the panel to the side and carefully lay it aside.



- Remove the screws and then remove the lamp cover.

Replacing the lamps:
UV low pressure lamps: see page 32.

The assembly is the same process in reverse order.

DANGER!

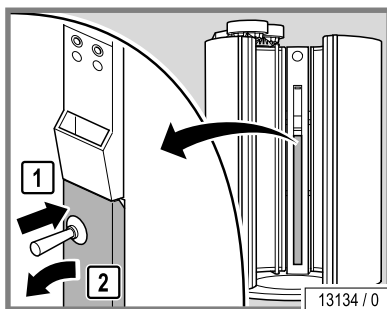


Danger of crushing fingers when folding the clamping strip!

Fingers can be crushed when folding the clamping strip.

- Do not hold fingers between the clamping strip and acrylic panel when folding.

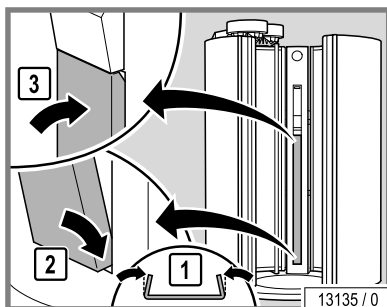
7.10 Cleaning or replacing interior lighting



- Using suction cups, pull the lamp cover in the upper area from the panel and remove.

Replacing the lamps:
Low pressure lamp: see page 32.

The assembly is the same process in reverse order.



During assembly please note:

- Press in the sides of the lamp cover a little and insert into the panel from the bottom to the top.
- Check for tight fit.

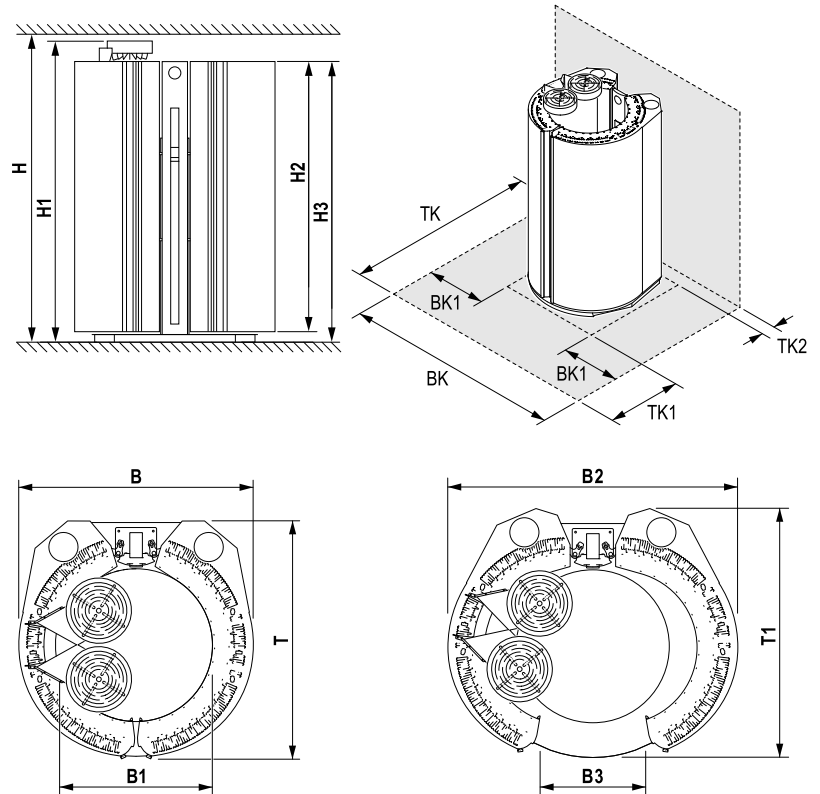
8 Technical data

Conformity mark (see name plate on page 44).

8.1 Power rating, electrical specifications and noise level

ESSENCE 56 SMART POWER	
Nominal power consumption (without exhaust air):	3 x 230 V, 10800 W, 30 amp or 1 x 230 V, 10800 W, 52 amp
Rated frequency:	60 Hz
Rated voltage:	230 V
Rated fuses:	40 amp 3-pole or 70 amp 1-pole
Noise level at 1 m distance from the device (without exhaust air):	58.5 dB(A)
Noise level in device:	<71 dB(A)
Load on the base plate:	max. 330 lb/150 kg
Weight:	606 lb/275 kg

8.2 Dimensions



B =	48 3/16 in	1224 mm
B1 =	31 4/16 in	794 mm
B2 =	59 5/16 in	1507 mm
B3 =	21 12/16 in	553 mm
T =	48 11/16 in	1237 mm
T1 =	31 4/16 in	794 mm
T2 =	50 14/16 in	1292 mm
H =	91 5/16 in	2320 mm
H1 =	89 6/16 in	2270 mm
H2 =	80 11/16 in	2050 mm
H3 =	83 14/16 in	2130 mm
BK =	82 11/16 in	2100 mm
BK1 =	11 11/16 in	297 mm
TK =	94 8/16 in	2400 mm
TK1 =	31 13/16 in	808 mm
TK2 =	11 13/16 in	300 mm

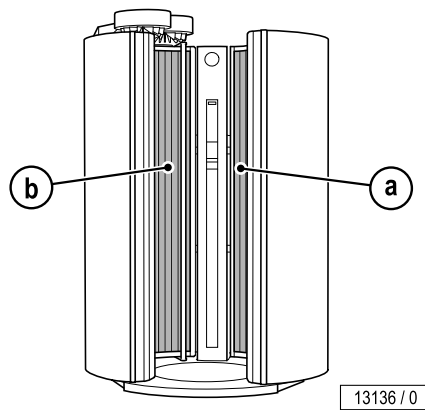
8.3 Lamp configuration

CAUTION!



Use of non-compliant lamps voids warranty and risks injury!

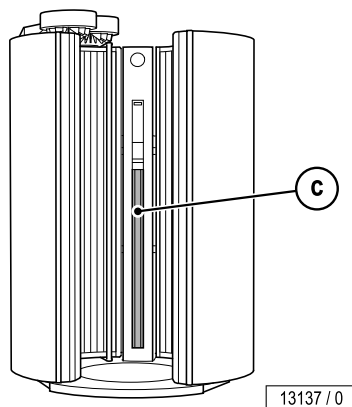
8.3.1 ESSENCE 56 SMART POWER



Installed lamps

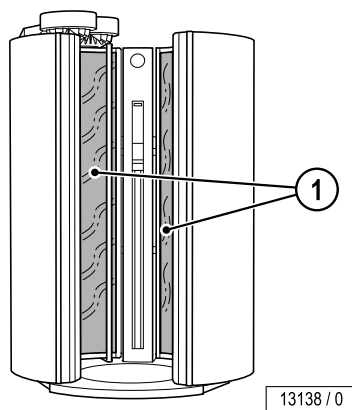
	Number	Description	Length	Power	Control	Order-no.
a)	28	UV low pressure lamps GENESIS GSXR 200 FR2.0M-T12-VT-200W	79 in	200 W	200 W	1505063-..
b)	28	UV low pressure lamps GENESIS GSXR 200 FR2.0M-T12-VT-200W	79 in	200 W	200 W	1505063-..

8.3.2 Accent lighting



Number	Description	Power	Order-no.
c)	1 Low pressure lamp	36 W	12969-..

8.4 Spare parts and accessories



Number	Description	Order-no.
1	2 Acrylic panels	1505500-..
	1 Protective goggles	84592-..
	1 MP3 cable	4630911001-..
	1 Allen-key	83828-..

9 JK-Products, Inc. – Limited Warranty

JK-Products, Inc. warrants its products to be free from defects in materials and workmanship under intended normal use as described in the unit's Operation and Instruction Manual, for a period of one (1) year from date of sale.

This Limited Warranty applies only to the original purchaser of the equipment through JK-Products, Inc. or its authorized dealer or distributor, and is not transferable.

Global Service USA obligations under this warranty are limited to repair or replacement of any defective part without charge for that part to the original purchaser, with the following exceptions:

A Fluorescent lamps are warranted against defects for a period of thirty (30) days from date of sale.

B Only parts obtained through JK-Products, Inc., its authorized dealers or distributors may be used. Transportation costs for parts shipped to the consumer and the return of defective parts to Global Service USA are not included.

C Labor will be furnished without charge for ninety (90) days from date of purchase only. All labor and related charges must be authorized by Global Service USA prior to start of repairs, and must coincide with Global Service USA established rates and time allotment policy.

D Acrylic: Refer to Manufacturer's Acrylic Warranty Policy. It is imperative that the original customer completes and returns the enclosed warranty card within 10 days after purchase to insure valid registration and coverage for potential claims.

If the warranty card is not registered, proof of purchase from JK-Products, Inc. or its authorized dealer or distributor will be required prior to any consideration on warranty claims. This could result in service delays.

This warranty is extended to the individual or legal entity, whose name appears on the warranty registration card filed with Global Service USA, or whose name appears on the original sale document and may not be transferred to any other individual or legal entity.

This warranty does not apply to any failure of the product, or any parts of the product due to alterations, modifications, misuse, abuse, accident, improper maintenance, improper installation, acts of God or if the serial number on the product has been removed, altered or defaced. Adequate packaging must be used for returned goods to prevent freight damage.

There are no warranties which extend beyond the description on the face hereof. There is no express or implied warranty of fitness of merchantability.

The remedies provided in this limited warranty are the exclusive remedies provided to the purchaser by Global Service USA and are provided in substitution of all other remedies. Consequential and incidental damages are excluded.

No person, firm or corporation is authorized to obligate JK-Products, Inc. for any liability in connection with the sale or use of these goods.

9.1 Limited Acrylic Warranty

JK Products, Inc. warrants its acrylic sheets to be free from defects in material and workmanship, under intended normal use, for a period of one (1) year from date of sale of the tanning bed. Due to the tanning lotions, cosmetics, disinfectant and improper cleaners used on tanning surfaces that cannot be controlled by JK Products, Inc., after the first thirty (30) days of warranty period acrylic will be subject to a prorated cost to the consumer.

JK Products, Inc. obligations do not include transportation charges on replacement acrylic.

JK Products, Inc. assumes no liability for the cost of removing defective sheets or installing replacement sheets, or for damage to persons or property.

To make a claim, contact an authorized dealer or distributor of JK-Products, Inc. or Global Service USA with the model number, the serial number, and the date of purchase of the bed in which the acrylic will be used.

There are no warranties which extend beyond the description on the face hereof. There is no express or implied warranty of fitness or merchantability.

The remedies provided in this limited warranty are the exclusive remedies provided to the purchaser by Global Service USA and are provided in substitution of all other remedies. Consequential and incidental damages are excluded.

Global Service USA
A Div of JK Products & Services, Inc.
#1 Walter Kratz Drive
Jonesboro, AR 72401
Phone: 800-445-0624
Fax: 870-935-9046
e-mail: support@jkamerica.com
<http://support.jkamerica.com>

9.2 Warranty Claims

9.2.1 Policy & Procedures

1. When to file a Warranty Claim:

In the event that your tanning system is not functioning properly under intended normal use as described in the unit's Operation and Instruction Manual, you may then have established cause to file a Warranty Claim.



NOTE:

Both the tanning system and legal registered owner must meet the criteria established under JK Products, Inc. Limited Warranty as described in this manual before any Warranty Claim will be considered.

2. Where to call to place a Warranty Claim:

JK-Products, Inc. is supported nationwide by an extensive dealer/distributor network through whom the majority of our units are sold. These dealers/distributors are required by contract to stock sufficient parts to meet the various warranty and nonwarranty needs of their customers.

Therefore, in order for you to properly file a Warranty Claim, you must locate the name and phone number of the dealer/distributor through whom you purchased your unit. Normally this information can be easily located either on your paid invoice or other proof of purchase documentation that you received when taking delivery of the unit.

Next, notify the dealer/distributor of the serial number, model number and date unit was purchased. This will initiate the Warranty Claim process.

Upon determination of the problem, your dealer/distributor can then supply you with the part(s) and proper instructions to return your unit to working order.

Each dealer/distributor has their own internal procedure for handling Warranty Claims and credits.



NOTE:

JK-Products, Inc., the manufacturer, does not involve itself in the direct handling of a Warranty Claim except where mitigating circumstances apply and where required by law.



NOTE:

If part returned to Global Service USA proves to be operational and not defective, or if product code numbers on part do not correspond with individual unit date on file with Global Service USA, then a 30% restocking fee will be charged in addition to the retail purchase price of part.

9.2.2 Labor Warranty Claim/Credit Procedures

Global Service USA furnishes labor without charge for a period of 90 days from date of purchase. All labor and related charges must be authorized by Global Service USA prior to start or repairs, and must coincide with Global Service USA established rates and time allotment policy.

Please contact our Service Department for authorization and billing procedures.

9.3 Limited Lifetime Warranty

Global Service USA warrants specific individual components of the tanning system against defects in materials and workmanship for the life of the product. Coverage is limited to units purchased after November 1, 1994.

This warranty is restricted by the following components only:

- Steel Back Panels
- Structural Steel Frame Components
- Exterior Steel Body.



NOTE:

Components are warranted on an individual basis and not as they may effect the complete product.

Warranty coverage does not include cosmetic abnormalities such as scratches, nicks, dents, rust, oxidation of paint or other cosmetic changes that do not interfere with the designed function of the unit.

This warranty does not include failure of the product due to alteration, modifications, misuse, abuse, improper maintenance, improper installation or repair.

This warranty is not transferable and is only applicable to the original purchaser named on a completed and registered warranty record at JK-Products, Inc. headquarters.

JK Products, Inc. obligations do not include transportation charged on the shipping of new components to the customer or on the return of defective components of the manufacturer. All freight charges must be paid by the customer.

There are no warranties which extend beyond the description on the face hereof. There is no express or implied warranty of fitness or merchantability.

The remedies provided in this limited warranty are the exclusive remedies provided to the purchaser by Global Service USA and are provided in substitution of all other remedies. Consequential and incidental damages are excluded.



NOTE:

Any misuse, abuse, modification, alteration, improper maintenance, improper installation, etc. of this product or its intended use will subject said party to direct responsibility and liabilities for any and all consequences resulting from such action. Furthermore, such actions will void all warranties and may relieve Global Service USA of any liabilities relating to said product.

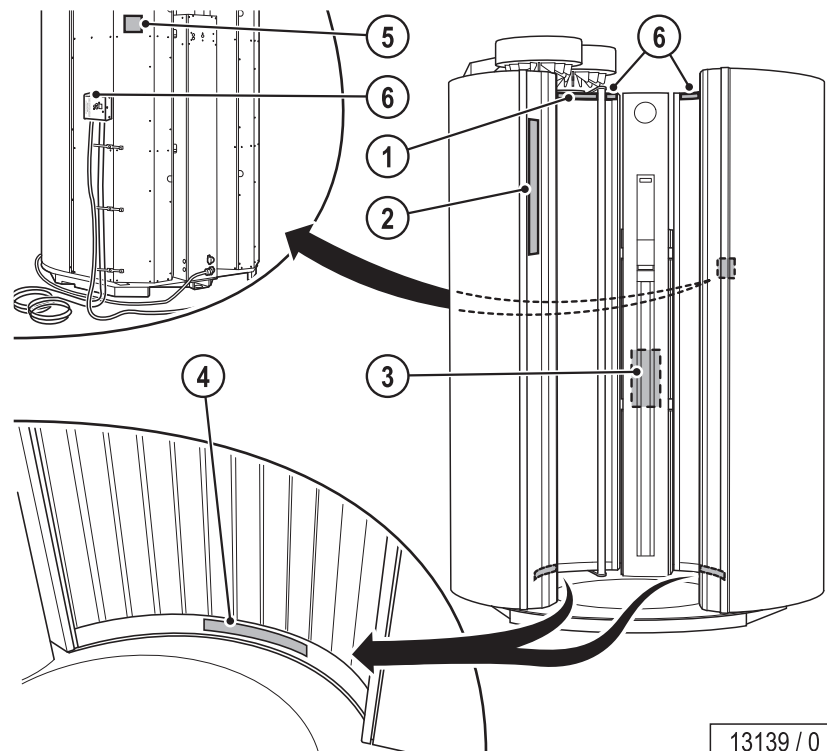
<p>Studio/Salon Name: _____</p> <p>Contact Name: _____</p> <p>Street Address: _____</p> <p>City: _____</p> <p>Telephone: (____) _____</p> <p>JK Distributor/Affiliate: _____</p> <p>Indicate below that each of the lighting system are in work</p> <table border="0"> <tr> <td>Lamps:</td> <td>Feats:</td> </tr> <tr> <td><input type="checkbox"/> Body</td> <td><input type="checkbox"/></td> </tr> <tr> <td><input type="checkbox"/> Base</td> <td><input type="checkbox"/></td> </tr> <tr> <td><input type="checkbox"/> Canopy</td> <td><input type="checkbox"/></td> </tr> <tr> <td><input type="checkbox"/> Facial Lamps (HPI)</td> <td><input type="checkbox"/></td> </tr> <tr> <td><input type="checkbox"/> Facial Lamps</td> <td><input type="checkbox"/></td> </tr> <tr> <td><input type="checkbox"/> Spaghetti</td> <td><input type="checkbox"/></td> </tr> <tr> <td><input type="checkbox"/> Shoulder Tanner</td> <td><input type="checkbox"/></td> </tr> <tr> <td><input type="checkbox"/> Decor</td> <td><input type="checkbox"/></td> </tr> <tr> <td></td> <td>Misc:</td> </tr> <tr> <td></td> <td><input type="checkbox"/></td> </tr> </table> <p>By signing below, you confirm stated address, installed, and</p> <p>Signature, JK Dist./Affiliate: _____</p> <p>Signature, Studio/Salon R: _____</p>	Lamps:	Feats:	<input type="checkbox"/> Body	<input type="checkbox"/>	<input type="checkbox"/> Base	<input type="checkbox"/>	<input type="checkbox"/> Canopy	<input type="checkbox"/>	<input type="checkbox"/> Facial Lamps (HPI)	<input type="checkbox"/>	<input type="checkbox"/> Facial Lamps	<input type="checkbox"/>	<input type="checkbox"/> Spaghetti	<input type="checkbox"/>	<input type="checkbox"/> Shoulder Tanner	<input type="checkbox"/>	<input type="checkbox"/> Decor	<input type="checkbox"/>		Misc:		<input type="checkbox"/>	<p style="text-align: center;">Affix Serialized Label Here</p> <div style="border: 1px solid black; padding: 5px; text-align: center;"> <p>BUSINESS REPLY MAIL</p> <p>FIRST CLASS MAIL PERMIT NO. 295 JONESBORO AR</p> <p>POSTAGE WILL BE PAID BY ADDRESSEE</p> <p>JK PRODUCTS & SERVICES</p> <p>1 WALTER KRATZ DR</p> <p>JONESBORO AR 72401-9977</p> </div> <div style="text-align: center; margin-top: 10px;"> </div> <div style="text-align: center; margin-top: 10px;"> </div> <div style="text-align: center; margin-top: 10px;"> <p>NO POSTAGE NECESSARY IF MAILED IN THE UNITED STATES</p> </div>
Lamps:	Feats:																						
<input type="checkbox"/> Body	<input type="checkbox"/>																						
<input type="checkbox"/> Base	<input type="checkbox"/>																						
<input type="checkbox"/> Canopy	<input type="checkbox"/>																						
<input type="checkbox"/> Facial Lamps (HPI)	<input type="checkbox"/>																						
<input type="checkbox"/> Facial Lamps	<input type="checkbox"/>																						
<input type="checkbox"/> Spaghetti	<input type="checkbox"/>																						
<input type="checkbox"/> Shoulder Tanner	<input type="checkbox"/>																						
<input type="checkbox"/> Decor	<input type="checkbox"/>																						
	Misc:																						
	<input type="checkbox"/>																						

12987 / 0

10 Appendix

10.1 Signs and stickers on the device

Signs which warn of danger areas are attached to the device. The signs shown below are examples. Ensure that the instruction signs are always clearly recognizable and easily legible. Any missing instruction signs or stickers must be replaced.



1: Fan warning sticker (1505394-..)



12982 / 0

2: Exposure Label

DANGER ULTRAVIOLET RADIATION

Follow instructions. Avoid over-exposure as with natural sunlight. Over-exposure can cause eye and skin injury and allergic reactions. Repeated exposure may cause premature aging of the skin and skin cancer.

WEAR PROTECTIVE EYEWEAR!

FAILURE MAY RESULT IN SEVERE BURNS OR LONGTERM INJURY TO THE EYES.

Medications or cosmetics may increase your sensitivity to the ultraviolet radiation. Consult a physician before using sunlamps if you are using medications, have a history of skin problems, or believe yourself to be especially sensitive to sunlight. If you do not tan in the sun, you are unlikely to tan from the use of this product.

This unit utilizes UVA lamps. Replace only with **GENESIS GSXR 200 FR2.0M-T12-VT-200W** or recognized equivalents. To obtain the recommended exposure schedule position, stand in the center of the tanning booth. Upon entry of the tanning booth, turn and face either the left or right panel of UV lamps. If you choose not to use the hand rails, position your arms beside your body maintaining a minimum distance of 1 inch (measured with a standard ruler) from the acrylic surface.

Maximum Tanning Time is 8 Minutes

Recommended Exposure Schedule

Skin Type	I Sensitive	II Fair	III Average	IV Brown	V Dark Brown
Week 1 1st - 3rd Sessions	NOT ADVISED	1 Min	1 Min	1 Min	1 Min
Week 2 4th - 6th Sessions	NOT ADVISED	3 Min	3 Min	4 Min	4 Min
Week 3 7th-10th Sessions	NOT ADVISED	6 Min	6 Min	8 Min	8 Min
Week 4 11th-15th Sessions	NOT ADVISED	8 Min	8 Min	8 Min	8 Min
Weekly Subse-quent Sessions	NOT ADVISED	8 Min	8 Min	8 Min	8 Min

Tanning can begin on a regular basis. An appearance of tanning normally appears after a few exposures and maximizes after four (4) weeks of exposure following the recommended exposure schedule for skin type. In order to provide for maintenance of a tan a maximum of two (2) weekly 8 minute sessions is recommended from the fifth week onward.

DO NOT TAN TWICE IN ONE DAY, ONLY TAN ONCE IN A 24 HOUR PERIOD.

Warning: The use of any other position may result in overexposure!

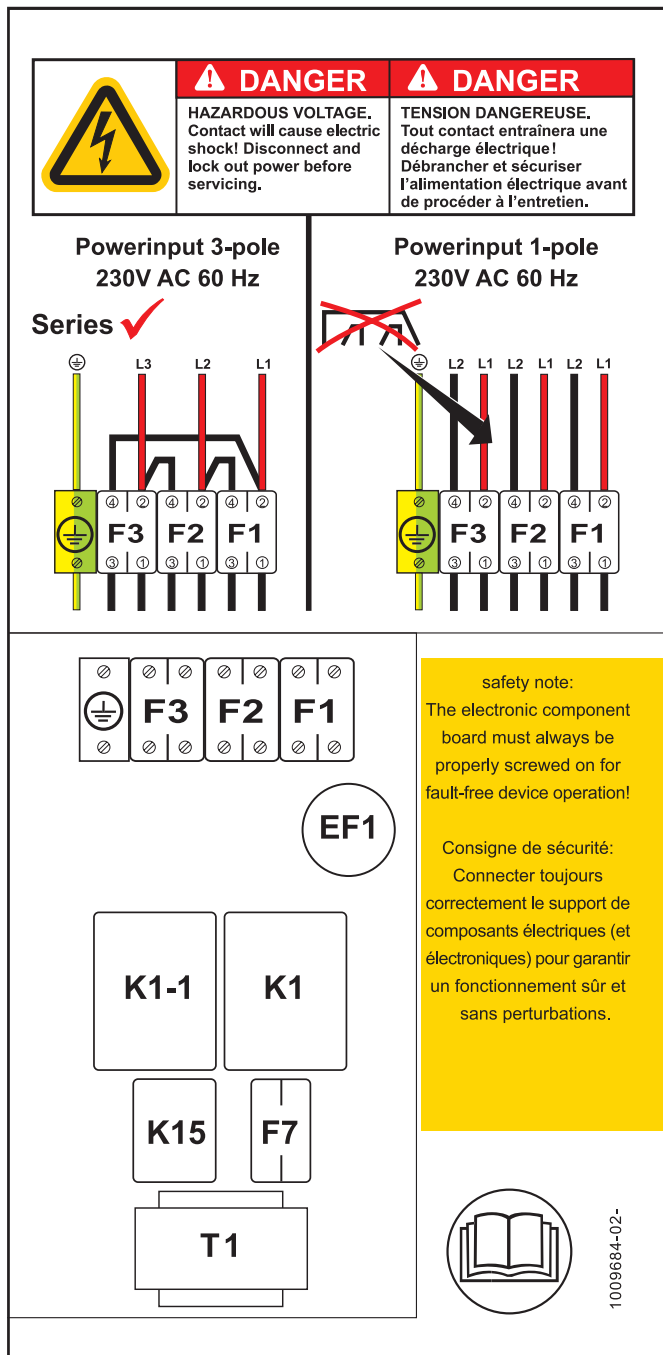
Use protective eyewear, super sunnies, whenever unit is energized. Read and follow instruction booklet before using this product. To avoid electrical shock during maintenance disconnect power from unit.

"This product is in conformity with performance standards for sunlamp products under 21 CFR 1040, FDA."

Part No: 1505265-01-

13089 / 0

3: USA mains connection sticker (1009684-..)



12920 / 1


The sticker is located behind the trim.

4: Lamp cover sticker (801139-..)

CAUTION - RISK OF PERSONAL INJURY UV LIGHT SOURCE - KEEP PROTECTIVE BARRIER IN PLACE	ATTENTION - RISQUE DE BLESSURE SOURCE DE RAYONS UV - NE PAS ENLEVER L'ECRAN
Keep protective barrier in place or replace removable parts after servicing. Ne pas enlever l'écran protecteur ou remettre en place les pièces amovibles après l'entretien.	
<small>801139-00a</small>	

12981 / 0

5: Nameplate

JK Products and Services, Inc. #1 Walter Kratz Dr. Jonesboro, AR 72401 1-800-SUNDASH		MODEL NO. XXXXXXX
 ETL LISTED US PORTABLE SUN/HEAT LAMPS	SERIAL NO. XXXXXXXXXXXX	
	INTERTEK TESTING SERVICES NA INC. CORTLAND, NEW YORK, 13045	
DATE MANUFACTURED	A/C VOLTS	A/C AMPS
XXXXXXX	0 0	
THIS PRODUCT IS IN CONFORMITY WITH PERFORMANCE STANDARDS FOR SUNLAMP PRODUCTS UNDER 21 CFR PART 1040:		
CAUTION READ OWNERS MANUAL BEFORE INSTALLING. FOLLOW ALL MANUFACTURER INSTRUCTIONS COMPLETELY AND CAREFULLY. OBSERVE AND FOLLOW ALL CAUTION WARNINGS. INSTALLATION SHOULD ONLY BE COMPLETED BY A QUALIFIED ELECTRICIAN.		
		12075 / 1

6: Module plate

JK PRODUCTS & SERVICES	
1 Walter Kratz Drive • Jonesboro, AR 72401 • 1.800.643.0086	
Model:	XXXXXXX
Date:	XXXXXXX
Serial No. :	XXXXXXXXXXXXXXXXXXXX

12986 / 0

11 Index

A		F	
Accent lighting.....	39	Fault codes.....	26
Accessories.....	17, 39	Faults	26
Acrylic glass (maintenance)	27	Foreseeable misuse.....	11
Adolescents.....	11, 18	Functions.....	22
Assembly.....	12	G	
B		Glasses	19
Base plate		Guidelines	12
Permitted load	36	I	
C		Injury	8
Cleaning	25, 27	Installed lamps	38
Lamps.....	28	Instruction signs	14
Cleaning intervals.....	28	Intended use	11
Cleaning or replacing interior lighting.....	35	Itching.....	18
Cleaning or replacing the UV lamps		L	
Side wall on the left	33	Lamp configuration.....	38
Side wall on the right	34	Lamps	11
Cleaning overview	28	Light sensitivity	18
Connect MP3 player.....	24	M	
Contact lenses	19	Maintenance.....	25, 27, 29
Copy protection	13	Maintenance overview.....	30
D		Make-up	19
Definitions	6	Medications	18
Description	16	MP3 music	13
Dimensions	37	O	
Disinfection.....	27	Operating altitude.....	13
Disposal	13	Operating overview	21
E		Operator	6
Electric shock	8	Operator's obligations	11
Electrical specifications	36	P	
Electrician.....	6	Plastic surfaces	
Equipment.....	15	(maintenance)	27
Exhaust air ventilation	12	Play rights	13
Export.....	13	Power rating.....	36
Eye damage	18	Product information	11

Protective measures when
performing maintenance work...25

Q

Qualified staff6

R

Recycling 13

Replacing the lamps32

Replacing the UV low pressure
lamps32

Risk of injury 18

S

Safety notices8

Scope of delivery 15

Setup..... 12

Setup location 13

Sickness..... 18

Skin types5

Spare parts30, 39

Staff.....6

Staff training 12

Start tanning.....23

Start-up settings23

Sunburn 18

T

Tanning times5

Technical Service.....2

Transport..... 12

U

UV lamps38

V

Ventilation 12

W

Warning signs, description7

